

LUBRICATION ORDER

10 SEPTEMBER 1973 (Supersedes LO5-5420-205-15 doted 13 FEBRUARY 1967)

SUPERSTRUCTURE, INTERIOR BAY AND SUPERSTRUCTURE, END BAY, COMPONENTS OF MOBILE FLOATING ASSAULT BRIDGE-FERRY UNIT

Reference: FEDERAL SUPPLY CATALOG C9100-IL

Intervals are based on normal hours of operations. Adjust to compensate for abnormal operations and severe conditions. During inactive periods, sufficient lubrication must be performed for adequate preservation.

Clean parts with SOLVENT, dry-cleaning TYPE II (SD-2). Dry before lubricating.

Lubricate points indicated by dotted arrow shafts on both sides of equipment.

*The time specified is the time required to perform all services at the particular interval.

Relubricate after amphibious operation.

*TOTAL MAN-HR	
INTERVAL	MAN-HR
250	.5

LUBRICANT * INTERVAL

INTERVAL * LUBRICANT

Ramp Cylinder Pin GAA

GAA Superstructure Pin

Ramp Actuating Link GAA
Pin

GAA Superstructure Yoke Pin

Ramp Lock Pins GAA

GAA Ramp Cylinder Picot Pin
(Ramp unfold cylinder)

Curb Support Arm Pivot OE/HDO
(See note 2)

GAA Ramp Lock Pins

Curb Support Arm Pin OE/HDO
(See note 2)

OE/HDO Curb Cylinder Pins
(See note 2)

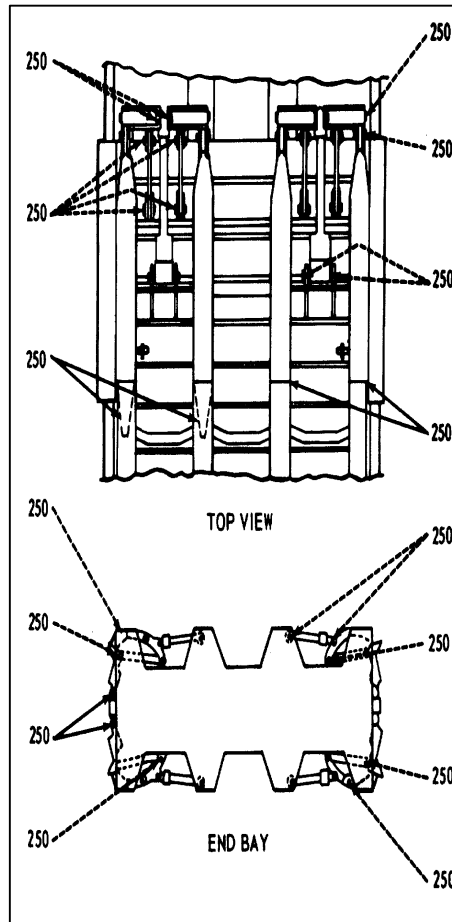
Curb Bracket Pin OE/HDO
(See note 2)

OE/HDO Curb Arm Assembly Pins
(See note 2)

Curb Arm Assembly OE/HDO
Pins

OE/HDO Curb Support Arm
(See note 2)

OE/HDO Curb Support Arm Pivot
(See note 2)



LUBRICANT * INTERVAL

Ramp Lock Pins GAA

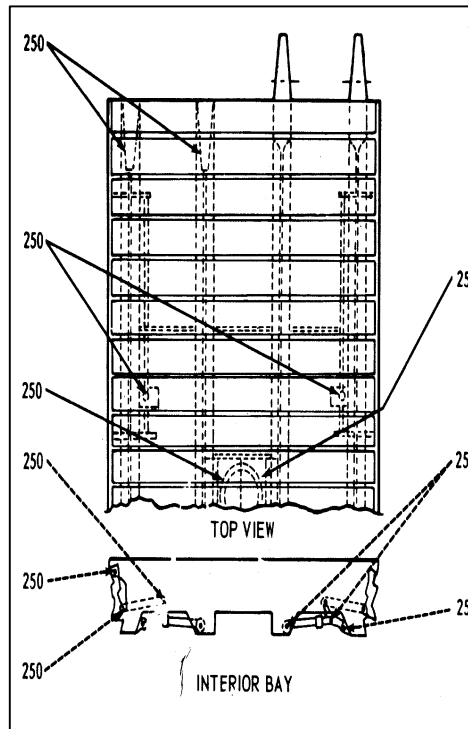
Superstructure Guide Pins

Rotation Cylinder GAA

Curb Arm Assembly OE/HDO

Curb Bracket Pin OE/HDO
(See note 2)

Curb Support Arm Pin OE/HDO
(See note 2)



INTERVAL * LUBRICANT

GAA Splined Post Seat

OE/HDO Curb Cylinder Pins
(See note 2)

OE/HDO Curb Support Arm Pivot
(See note 2)

- KEY -

LUBRICANTS	CAPACITY	EXPECTED TEMPERATURES		INTERVALS	
		Above +32° F	+40° F to -10° F		0° F to -65° F
OE/HDO-LUBRICATING OIL, Engine		OE./HDO 30	OE/HDO 10	OES	Intervals given ore in hours of normal operation
Oil Can Points					
OES-OIL, Engine, Sub-zero					
GAA-GREASE, Automotive and Artillery		ALL TEMPERATURES			

NOTES:

1. FOR OPERATION OF EQUIPMENT IN PROTRACTED COLD TEMPERATURES BELOW - 10°F. Remove lubricants prescribed in the key for temperatures above - 10°F. Clean parts with SOLVENT, dry-cleaning. Relubricate with lubricants specified in the key for temperatures below - 10°F.

2. OIL CAN POINTS, Every 250 hours clean and lightly coat curb cylinder pins, curb arm and bracket pins, support arm and pivot pins with OE/HDO.

3. LUBRICANTS. The following is a list of lubricants with the Military Symbols and applicable Specification numbers.
OES MIL-L-10295 GAA MIL-G-10924
OE/HDO MIL-L-2104C

Copy of this Lubrication Order will remain with the equipment at all times; instructions contained herein are mandatory.

BY ORDER OF THE SECRETARY OF THE ARMY:
CREIGHTON W. ABRAMS
General, United States Army
Chief of Staff

OFFICIAL:

VERNON L. BOWERS
Major General, United States Army
The Adjutant General

DISTRIBUTION: To be distributed in accordance with DA Form 12-25D (qty rqr block No. 1129) operator maintenance requirements for Mobile Floating Bridge. 018070-000

RECOMMENDED CHANGES TO EQUIPMENT TECHNICAL PUBLICATIONS



THEN...JOT DOWN THE DOPE ABOUT IT ON THIS FORM. CAREFULLY TEAR IT OUT, FOLD IT AND DROP IT IN THE MAIL.

SOMETHING WRONG WITH PUBLICATION

FROM: (PRINT YOUR UNIT'S COMPLETE ADDRESS)

DATE SENT

PUBLICATION NUMBER

PUBLICATION DATE

PUBLICATION TITLE

BE EXACT PIN-POINT WHERE IT IS

PAGE NO.	PARA-GRAPH	FIGURE NO.	TABLE NO.

IN THIS SPACE, TELL WHAT IS WRONG AND WHAT SHOULD BE DONE ABOUT IT.

TEAR ALONG PERFORATED LINE

PRINTED NAME, GRADE OR TITLE AND TELEPHONE NUMBER

SIGN HERE

